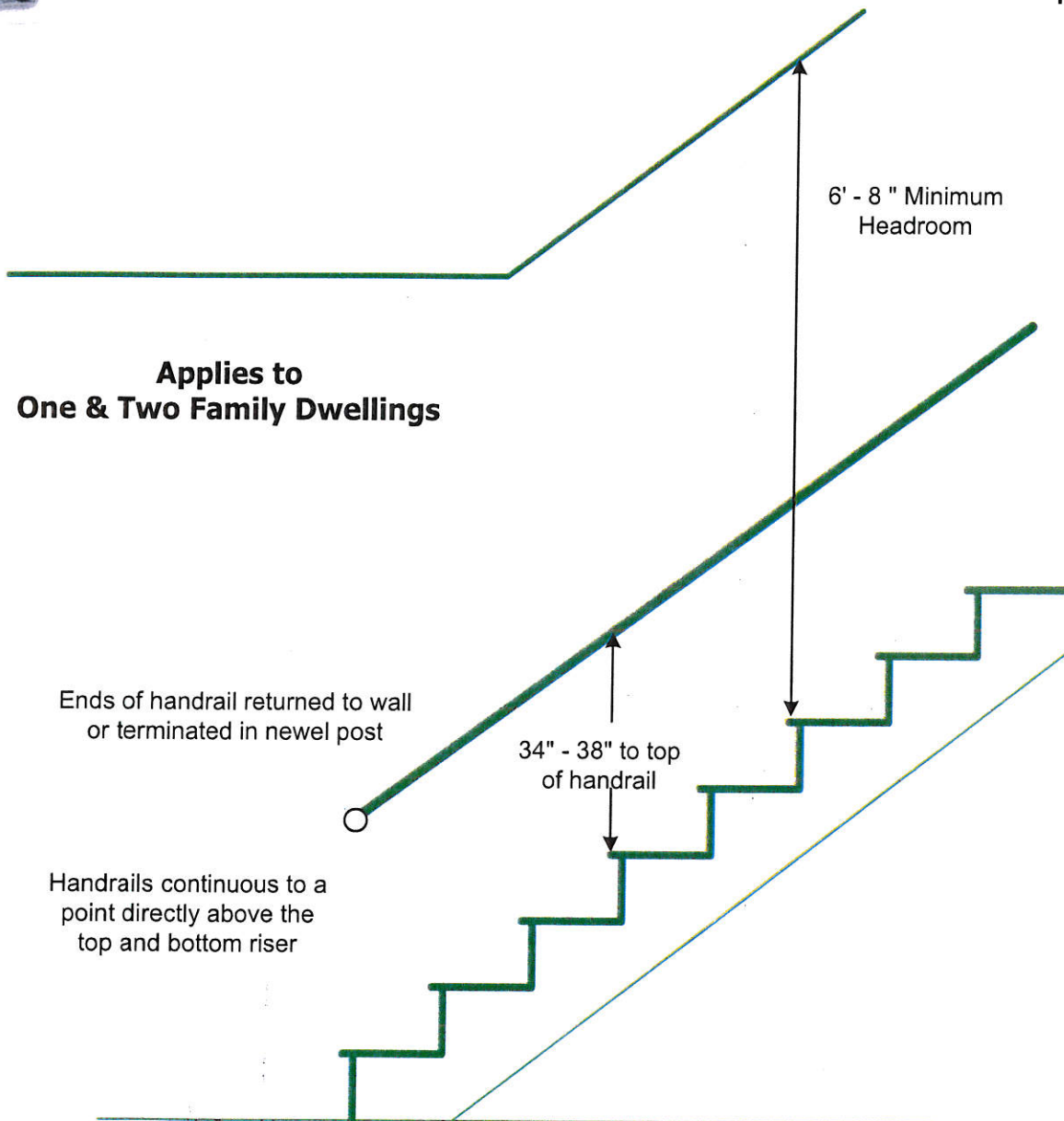




Building Division

Stairs & Railings



TREADS and RISERS:

- Maximum riser is 7-3/4" and the minimum tread depth is 10". Risers and treads shall be uniform throughout flight.
- The greatest riser height shall not exceed the smallest by more than 3/8".
- The greatest tread shall not exceed the smallest by more than 3/8".
- The minimum headroom in all parts of the stairway shall not be less than 6' - 8" measured from a sloped plane adjoining the tread nosings.

HANDRAILS:

- Shall be continuous the full length of the stairs from a point directly above the top riser of a flight to a point directly above the lowest riser of the flight.
- A handrail is required on at least one side of stairs with four or more risers.
- The top of the handrail shall be placed not less than 34 inches and not more than 38 inches above the nosing of the treads.
- Ends of handrails shall be returned to the wall or shall terminate in a newel post.

Guards

Guards Required:

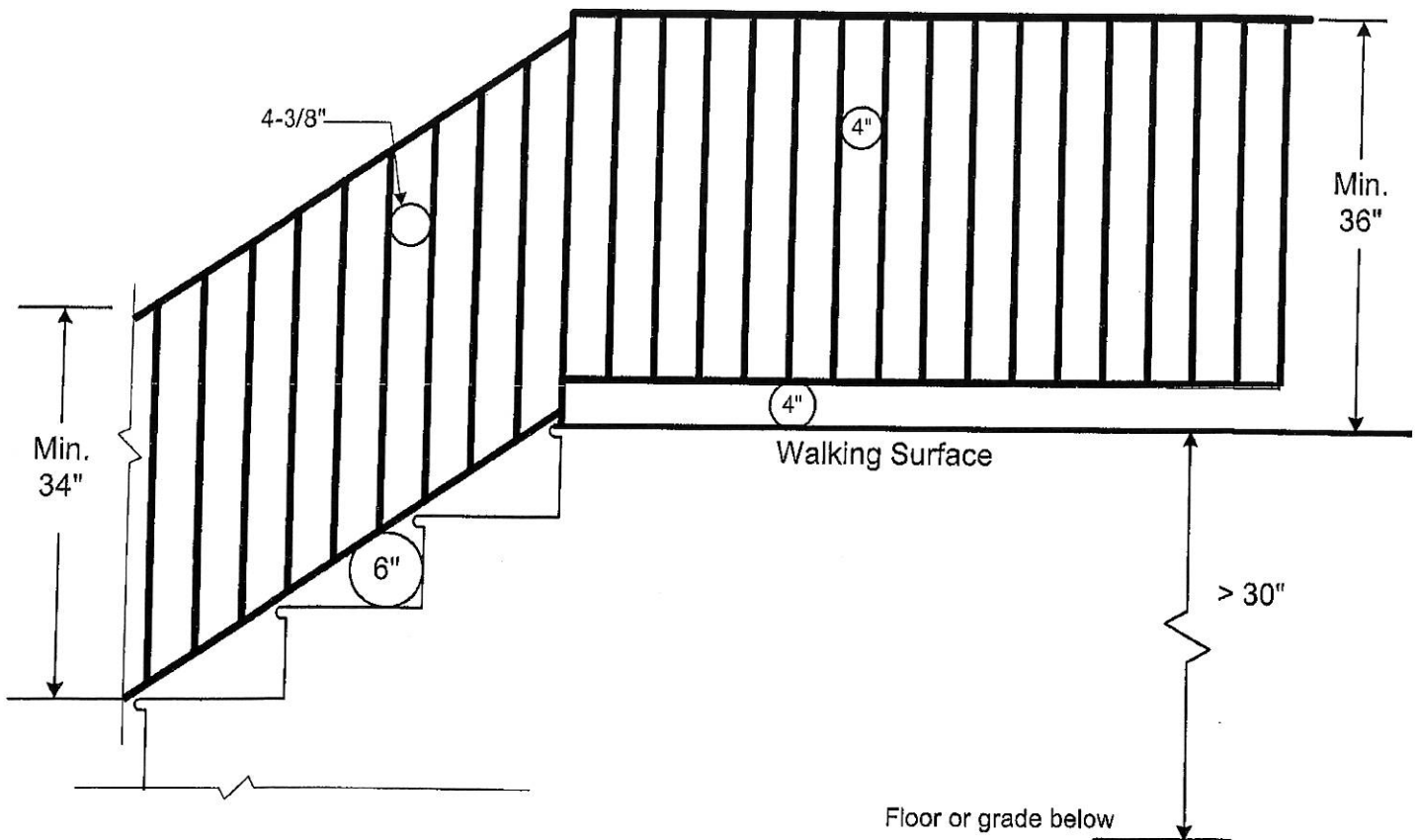
- o Porches, decks, balconies, ramps or raised floor surfaces located more than **30 inches** above the floor or grade below shall have guards not less than **36 inches** in height.
- o Open sides of stairs with a total rise of more than **30 inches** above the floor or grade below shall have guards not less than **34 inches** in height measured vertically from the nosing of the treads.

Guard Opening Limitations:

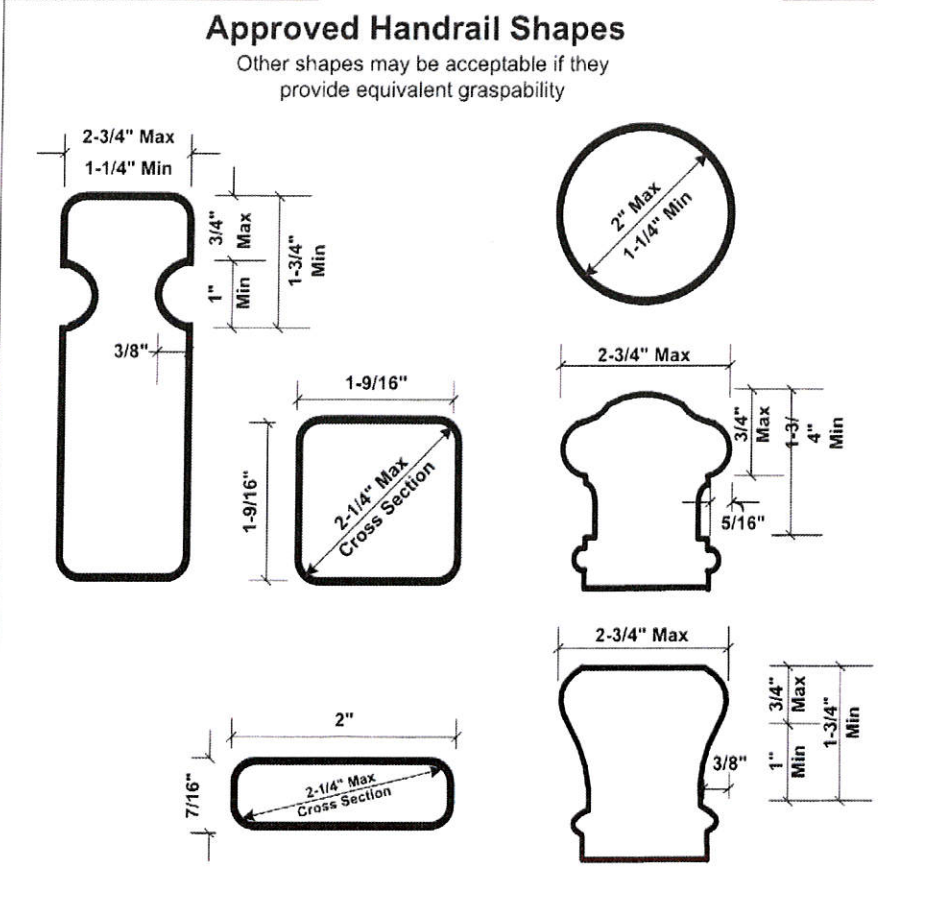
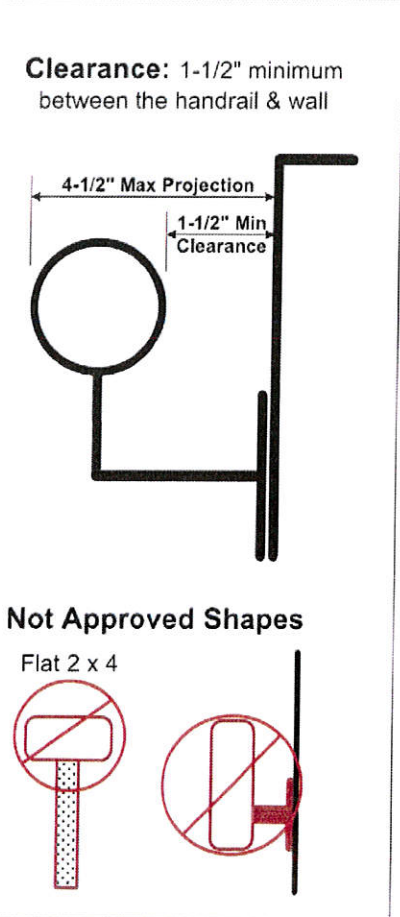
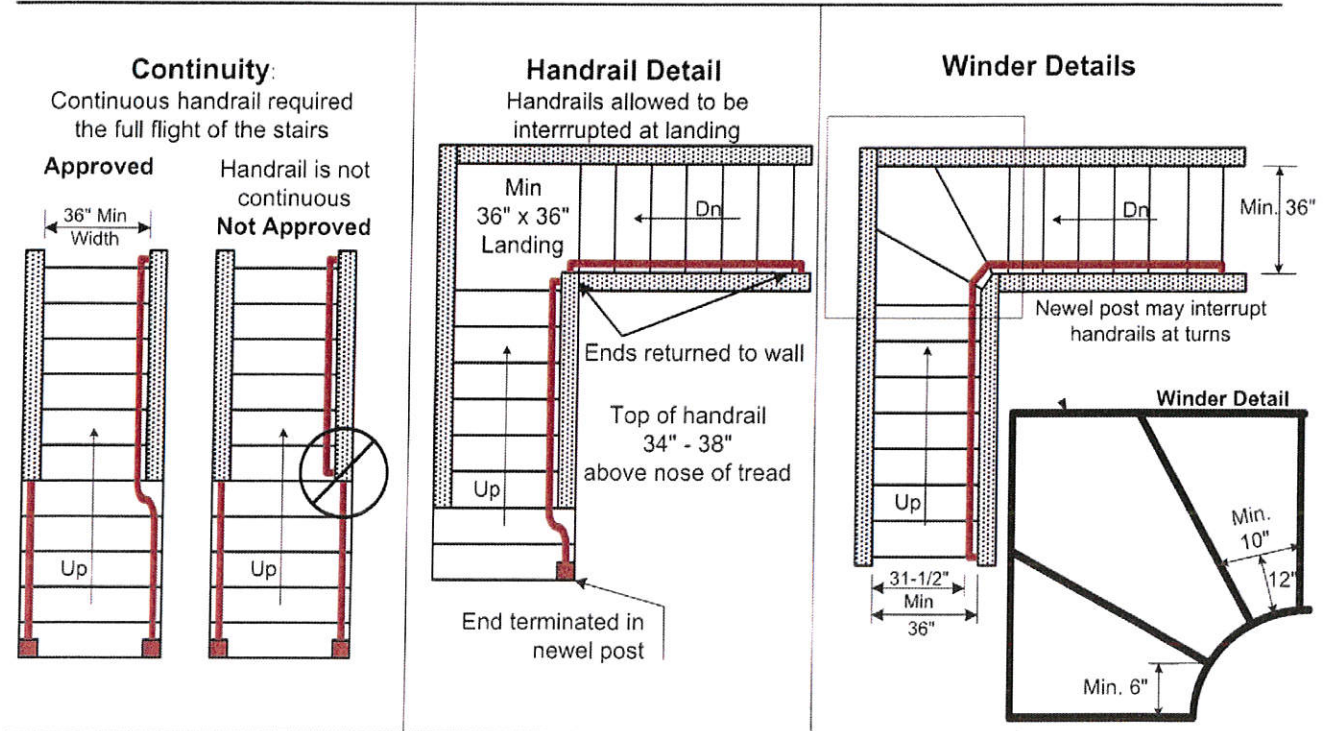
- o Required guards shall have intermediate rails or ornamental closures that do not allow passage of a sphere **4 inches** in diameter.

Exceptions:

- o The triangular openings formed by the riser, tread, and bottom rail of a guard at the open side of a stairway are permitted to be of such a size that a sphere **6 inches** in diameter cannot pass through.
- o Openings for required guards on the sides of stair treads shall not allow a sphere **4 - 3/8 inches** to pass through.

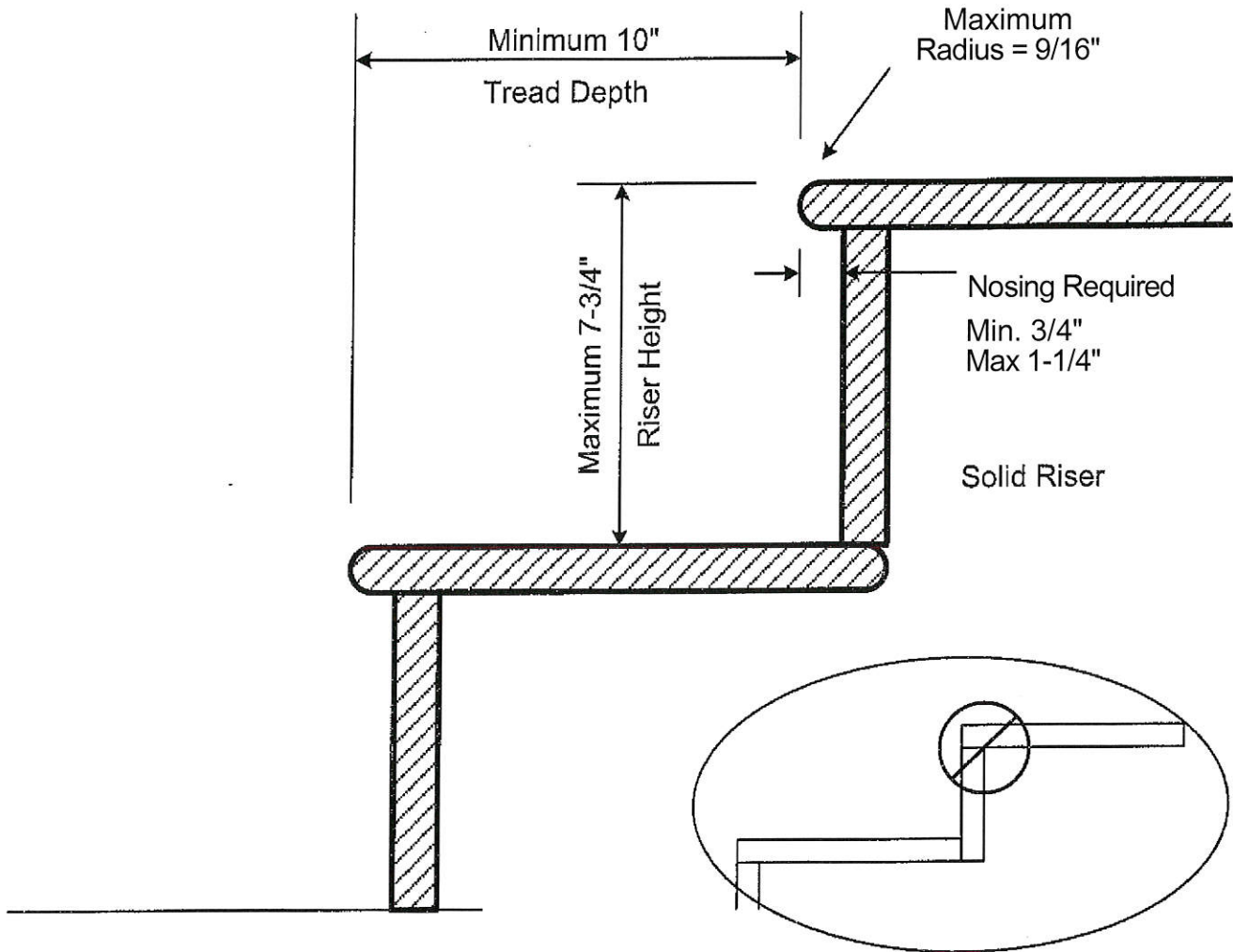


Handrails



Tread Detail

Treads & Risers shall be uniform throughout flight



STAIR PROFILE:

NOSING REQUIRED:

- A nosing not less than 3/4" and not more than 1-1/4" shall be provided on stairs with solid risers.
- The greatest nosing projection shall not exceed the smallest by more than 3/8 inch.
- A nosing is not required where the tread depth is a minimum of 11 inches.

RISERS:

- Risers shall be solid or
- May be open risers if the opening between treads does not permit the passage of a 4" diameter sphere,